



WWW.KUCHT.COM



BE A **PRO** IN YOUR KITCHEN

INSTALLATION MANUAL

# BUILT-IN MICROWAVE CONVECTION OVEN

APPLICABLE MODEL: KM30C

---

# Before you begin

## Tools and parts needed

- Philips head screwdriver
- 1/8" drill bit and drill
- Measuring tape

## Parts included

- Microwave oven
- Philips head screws

## Power Requirements

The outlet must be properly grounded in accordance with all applicable codes.

It can be installed in the back wall directly behind the appliance.

You can also connect your appliance directly to a compatible conventional Built-in Oven. Refer to separate Combination Instructions.

---

# Checklist for Installation

Use this checklist to verify that you have completed each step of the installation process. This can help you avoid mistakes.

Refer to detailed instructions for each step in the sections following this checklist.

1. Before installing the appliance, be sure to verify the cabinet dimensions are correct for your appliance and that the required electrical connections are present. Make sure the electrical conduit provided on the appliance is able to reach to the point of connection.  
*Section: Dimensions and Cabinet Requirements*
2. Move the appliance into place in front of the cabinet opening.  
*Section: Removing Packaging*

3. Remove packaging materials, leaving the bottom packaging on the appliance to avoid damage to the floor.  
*Section: Removing Packaging*
4. Team-lift the appliance directly into the cabinet cutout.  
*Section: Install Appliance, "Mount to Cabinet"*
5. Slide the appliance all the way into place.  
*Section: Install Appliance, "Mount to Cabinet"*
6. Fasten the appliance to the cabinet opening with the screws supplied.  
*Section: Install Appliance, "Mount to Cabinet"*

Always read and follow the complete installation instructions contained in this manual.

---

# Removing Packaging

**NOTICE:** To prevent damage to your floor keep the unit in its packaging base until ready to be placed in the cabinet opening. Do not slide the unit across the flooring. Different models use different packaging materials. Bracket remains in packaging base.

1. Cut straps on outside of box.
2. Remove cardboard box.
3. Remove all top and side cardboard and Styrofoam braces.
4. Place oven in front of cabinets where it is to be installed.

**NOTICE:** To avoid damage to the microwave oven, do not grip or use the door or door handle while the microwave oven is being handled.

# Dimensions and Cabinet Requirements

## General Cabinet Requirements

Cabinet requirements vary depending on the model to be installed. Please consult the section “**Dimensions**” for the details pertaining to your particular model.

### All models require:

- ¼" (6.4 mm) space between the side of the appliance and an adjacent wall or cabinet door when installed at the end of a cabinet run.
- The cabinet base must be flat and capable of supporting the weight of your appliance when in use. See the appropriate weight for your model in the *Dimensions* section pertaining to your particular model. For combination units consult the section *Cabinet Dimension Requirements* in the installation manual of your combination appliance.
- The appliance door will overlap the furniture below by approx. 3/16" (5 mm) when opened. If necessary, you can elevate the appliance position by adding a panel in the required thickness on top of the supporting base. The supporting base must be level and securely fixed to the cabinet.

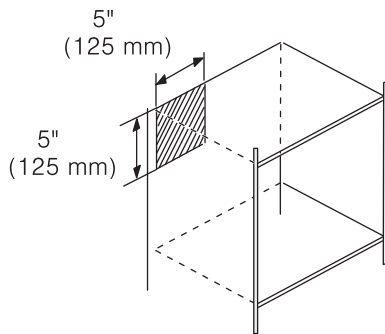
## Outlet Area

Anywhere within the shaded area the minimal distance between the appliance and the wall is 1¾ in (45 mm).

**Appliances with plug connection:** The outlet can be located anywhere within the shaded area.

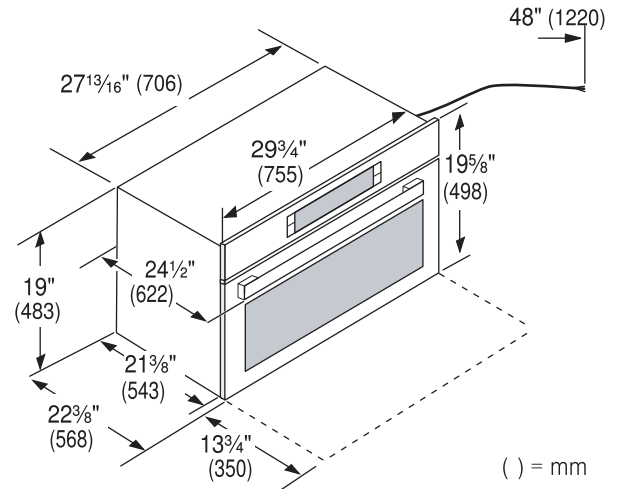
### Appliances with wire conduit connection:

- For stand alone installation, the electrical connection box must be mounted to the wall inside the cabinet cavity anywhere within the shaded area.
- For installation as part of a combination of various Bosch appliances, please consult the installation manual of the combo-unit.

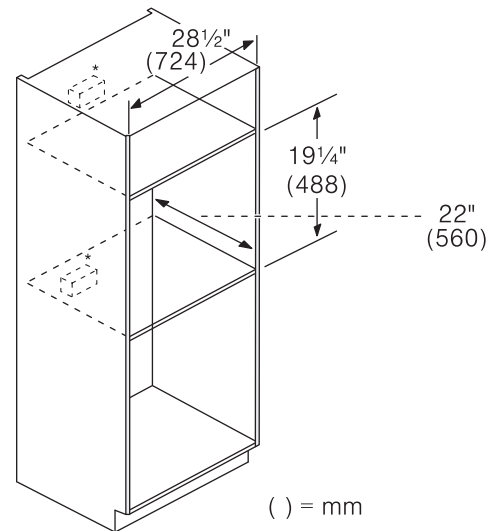


## Dimensions for 30" Wall-Mounted Units

### Appliance Dimensions

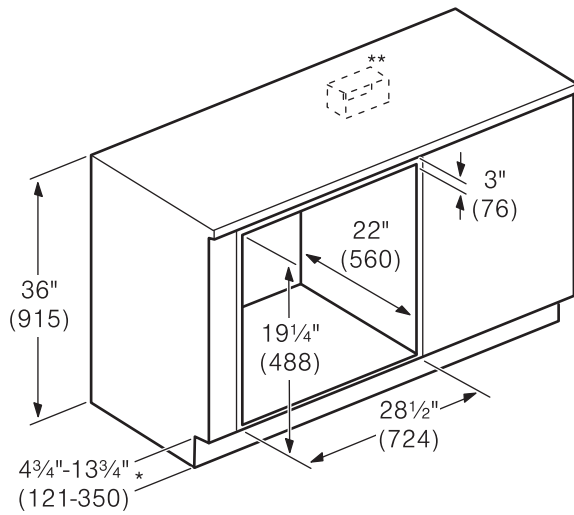


### Cabinet Dimensions

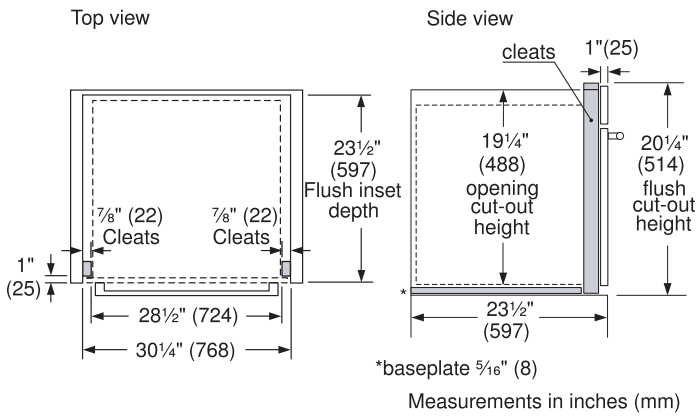


**NOTICE:** The cabinet base must be flat and capable of supporting a weight of at least 142 lbs (64.1 kg).

## Under counter dimensions 30" units



## Flush installation 30" units



Flush installation also requires:

- two side cleats to be attached inside the cabinet frame, recessed from the front
- a 5/16" (8 mm) baseplate underneath the unit body.

# Electrical Installation

The model stated on the front cover is rated at 120V AC, 60 Hz and uses a NEMA 5-20 plug to connect to a dedicated 120 V microwave circuit.

Electrical Requirements:

- a three prong grounded outlet
- 120 V, 60 Hz, AC only
- 15 Amp electrical supply with a fuse or a circuit breaker

This product must be connected to a supply circuit of the proper voltage and frequency. Wire size must conform to the requirements of the National Electric Code or the prevailing local code for this rating. The power supply cord and plug should be brought to a separate 20-amp branch circuit single grounded outlet. The outlet box should be located in the area behind the appliance (see section *Cabinet Dimensions* ). The outlet box and supply circuit should be installed by a qualified electrician and conform to the National Electrical Code or the prevailing local code.

The voltage used must be the same as specified on the data plate of this microwave oven. Using a higher voltage is dangerous and may result in a fire or oven damage. Using a lower voltage will cause slow cooking. The manufacturer is not responsible for any damages resulting from the use of the oven with any voltage other than specified.

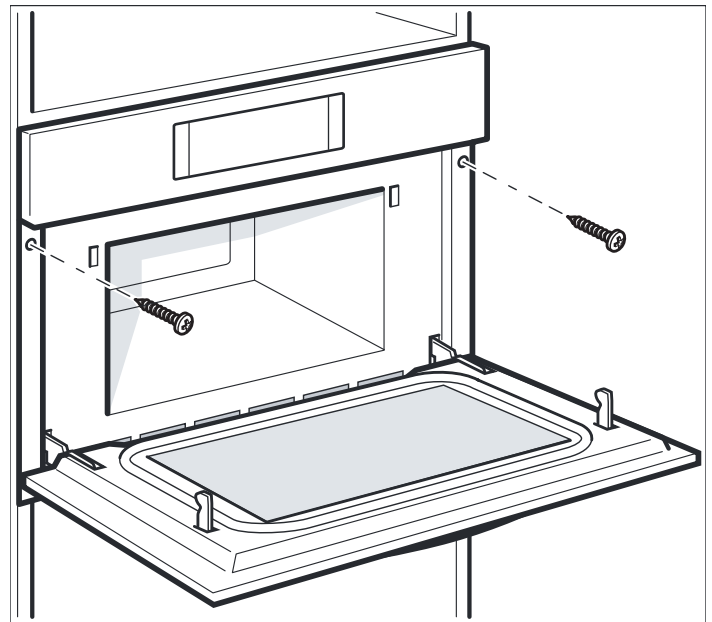
# Install Appliance

**Note:** The appliance is heavy. It is advisable to install it with a second person.

**NOTICE:** Before installing the appliance, be sure to verify the cabinet dimensions and electrical connections.

## Mount to Cabinet

1. Fully insert the appliance and center it. Do not kink the electrical cable.
2. Screw the appliance into place.





WE TRANSFORM A SIMPLE KITCHEN INTO A PRO ONE.  
THIS IS WHY WE CARE ABOUT MAKING VERY HIGH PERFORMANCE  
RANGES AND HOODS, TO MAKE YOU FEEL LIKE A PRO AND STYLISH COOKER.

DESIGN: LONDON DC - [WWW.LONDON-DC.COM](http://WWW.LONDON-DC.COM)

FOR MORE DETAILS AND INFORMATION, PLEASE VISIT OUR WEBSITE [WWW.KUCHT.COM](http://WWW.KUCHT.COM)